

# WLC X2 Precision Balances

Advanced weighing under laboratory and less challenging industrial conditions



WLC X2, d = 0.001 g



WLC X2, d = 0.01 g



WLC X2, d = 0.1 g



Communication interfaces

## Functions

- |                |                  |                       |                                |                   |
|----------------|------------------|-----------------------|--------------------------------|-------------------|
| Parts counting | Percent weighing | Density determination | GLP procedures                 | Alibi memory      |
| Dosing         | Statistics       | Under hook weighing   | Proximity sensors              | Replaceable unit  |
| Checkweighing  | Animal weighing  | Peak hold             | Ambient conditions measurement | Multilingual menu |
| Formulations   | Autotest         |                       |                                |                   |

## Features

### Reliable Results and High Measurement Precision

Excellent performance and weighing precision enable applying WLC X2 balances in laboratories and industries.

### Excellent Weighing Parameters and Comfort of Operation

Thanks to a clear and intuitive menu layout and 5" colour touch screen, maximum comfort and incredibly easy operation are both ensured.

### Customization via Widgets

WLC X2 software enables designing widgets layout on the display. Display customization allows you to run any selected function directly from the home screen.

### Automatic Adjustment

Internal adjustment system guarantees the highest accuracy and reliable measurements results.

### Touch-Free Operation

Two programmable proximity sensors can be assigned with any function or application. The given function when assigned is both run and operated touch-free.

### Numerous Options of Data Management

The instrument enables saving all data of carried out measurements as reports and graphs.

### Wide Capacity Range for Different Applications

Wide capacity range enables you to select appropriate weighing instrument suiting your needs and requirements.

## Technical Specifications

	WLC 0.2.X2	WLC 0.6.X2	WLC 1/10.X2	WLC 2.X2
<b>Maximum capacity [Max]</b>	0.2 kg	0.6 kg	1 kg / 10 kg	2 kg
<b>Minimum load</b>	—	—	—	—
<b>Readability [d]</b>	0.001 g	0.01 g	0.01 g / 0.1 g	0.01 g
<b>Verification scale interval [e]</b>	—	—	—	—
<b>Tare range</b>	-0.2 kg	-0.6 kg	-10 kg	-2 kg
<b>Repeatability*</b>	0.0014 g	0.008 g	0.015 g / 0.08 g	0.015 g
<b>Linearity</b>	±0.003 g	±0.03 g	±0.03 g / ±0.3 g	±0.03 g
<b>Stabilization time</b>	2 s	2 s	~ 4 s / 2 s	2 s
<b>Adjustment</b>	internal	internal	external	internal
<b>Verification</b>	—	—	—	—
<b>OIML Class</b>	—	—	—	—
<b>Display</b>	5" capacitive colour touch screen	5" capacitive colour touch screen	5" capacitive colour touch screen	5" capacitive colour touch screen
<b>Keypad</b>	6 keys	6 keys	6 keys	6 keys
<b>Protection class</b>	IP 43	IP 43	IP 43	IP 43
<b>Touch-free operation</b>	2 programmable proximity sensors	2 programmable proximity sensors	2 programmable proximity sensors	2 programmable proximity sensors
<b>USB-A</b>	1	1	1	1
<b>USB-B</b>	1	1	1	1
<b>RS 232</b>	2	2	2	2
<b>Wireless Connection</b>	802.11 b/g/n	802.11 b/g/n	802.11 b/g/n	802.11 b/g/n
<b>Ethernet</b>	10 / 100 Mbit	10 / 100 Mbit	10 / 100 Mbit	10 / 100 Mbit
<b>Power consumption</b>	12 ÷ 16 V DC	12 ÷ 16 V DC	12 ÷ 16 V DC	12 ÷ 16 V DC
<b>Power supply</b>	4 W	4 W	4 W	4 W
<b>Operating temperature</b>	+10 ÷ +40 °C	+10 ÷ +40 °C	+10 ÷ +40 °C	+10 ÷ +40 °C
<b>Atmospheric humidity**</b>	40 ÷ 80 %	40 ÷ 80 %	40 ÷ 80 %	40 ÷ 80 %
<b>Weighing pan dimensions</b>	∅ 100 mm	128 × 128 mm	195 × 195 mm	195 × 195 mm
<b>Weighing device dimensions</b>	333 × 206 × 280 mm	333 × 206 × 100 mm	333 × 206 × 100 mm	333 × 206 × 100 mm
<b>Net weight</b>	1.8 kg	2.2 kg	2.2 kg	2.2 kg
<b>Gross weight</b>	3.4 kg	3.8 kg	3.8 kg	3.8 kg
<b>Packaging dimensions</b>	470 × 380 × 336 mm	470 × 380 × 336 mm	470 × 380 × 336 mm	470 × 380 × 336 mm

\* repeatability is expressed as a standard deviation from 10 weighing cycles

\*\* non-condensing conditions

In accordance with type approval, the balance parameters are maintained in temperature range: +15 ÷ +35 °C.

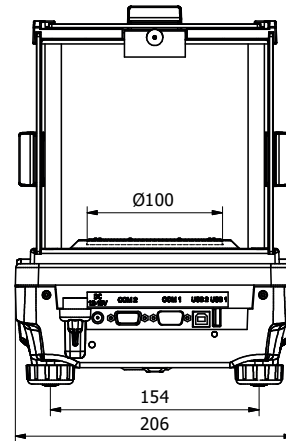
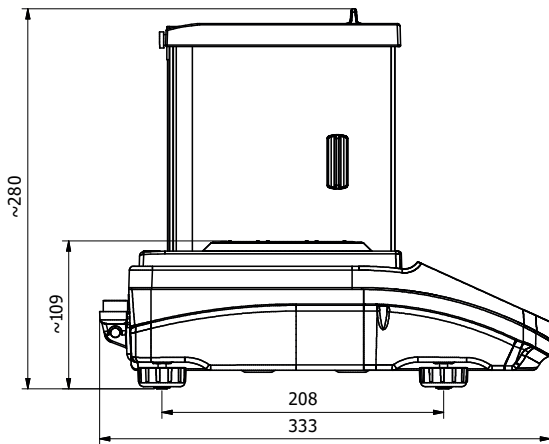
	WLC 6.X2	WLC 10.X2	WLC 20.X2	WLC 21.X2
<b>Maximum capacity [Max]</b>	6 kg	10 kg	20 kg	21 kg
<b>Minimum load</b>	—	—	—	—
<b>Readability [d]</b>	0.1 g	0.1 g	0.1 g	1 g
<b>Verification scale interval [e]</b>	—	—	—	—
<b>Tare range</b>	-6 kg	-10 kg	-20 kg	-21 kg
<b>Repeatability*</b>	0.1 g	0.08 g	0.1 g	0.8 g
<b>Linearity</b>	±0.3 g	±0.3 g	±0.3 g	±3 g
<b>Stabilization time</b>	2 s	2 s	3 s	3 s
<b>Adjustment</b>	internal	external	external	external
<b>Verification</b>	—	—	—	—
<b>OIML Class</b>	—	—	—	—
<b>Display</b>	5" capacitive colour touch screen	5" capacitive colour touch screen	5" capacitive colour touch screen	5" capacitive colour touch screen
<b>Keypad</b>	6 keys	6 keys	6 keys	6 keys
<b>Protection class</b>	IP 43	IP 43	IP 43	IP 43
<b>Touch-free operation</b>	2 programmable proximity sensors	2 programmable proximity sensors	2 programmable proximity sensors	2 programmable proximity sensors
<b>USB-A</b>	1	1	1	1
<b>USB-B</b>	1	1	1	1
<b>RS 232</b>	2	2	2	2
<b>Wireless Connection</b>	802.11 b/g/n	802.11 b/g/n	802.11 b/g/n	802.11 b/g/n
<b>Ethernet</b>	10 / 100 Mbit	10 / 100 Mbit	10 / 100 Mbit	10 / 100 Mbit
<b>Power consumption</b>	12 ÷ 16 V DC	12 ÷ 16 V DC	12 ÷ 16 V DC	12 ÷ 16 V DC
<b>Power supply</b>	4 W	4 W	4 W	4 W
<b>Operating temperature</b>	+10 ÷ +40 °C	+10 ÷ +40 °C	+10 ÷ +40 °C	+10 ÷ +40 °C
<b>Atmospheric humidity**</b>	40 ÷ 80 %	40 ÷ 80 %	40 ÷ 80 %	40 ÷ 80 %
<b>Weighing pan dimensions</b>	195 × 195 mm	195 × 195 mm	195 × 195 mm	195 × 195 mm
<b>Weighing device dimensions</b>	333 × 206 × 100 mm	333 × 206 × 100 mm	333 × 206 × 100 mm	333 × 206 × 100 mm
<b>Net weight</b>	2.2 kg	2.2 kg	2.2 kg	2.2 kg
<b>Gross weigh</b>	3.8 kg	3.8 kg	3.8 kg	3.8 kg
<b>Packaging dimensions</b>	470 × 380 × 336 mm	470 × 380 × 336 mm	470 × 380 × 336 mm	470 × 380 × 336 mm

\* repeatability is expressed as a standard deviation from 10 weighing cycles

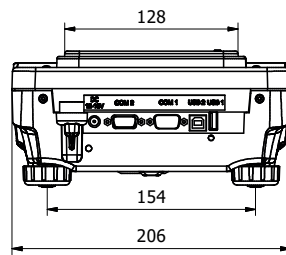
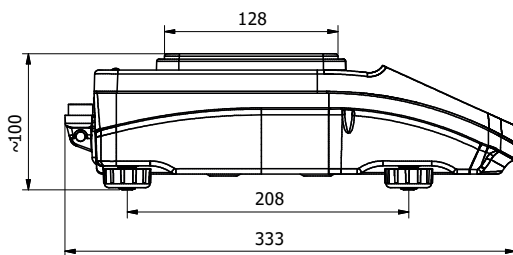
\*\* non-condensing conditions

In accordance with type approval, the balance parameters are maintained in temperature range: +15 ÷ +35 °C.

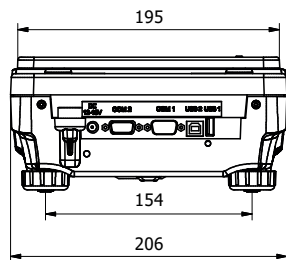
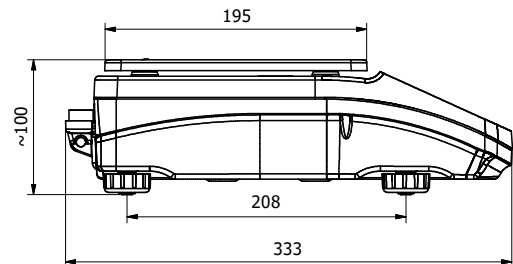
## Dimensions



WLC X2, d = 0.001 mg



WLC X2, d = 0.01 mg



WLC X2, d = 0.1 mg

## Accessories

### Weighing Tables

- granite antivibration table

### Professional Weighing

- under-hook weighing rack

### Peripheral Devices

- Epson dot matrix printer
- barcode scanners
- WD-6 LCD display

### Cables, Converters

- P0108: RS 232 cable (balance-computer)
- P0151: RS 232 cable (balance - Epson printer)
- USB cable type A-B

### Electrical Accessories

- ZR-02 power supply with battery

### Remaining Accessories

- suitcase for PS

## Dedicated Software

### LabView Driver

- operation of RADWAG balances in LabView environment

### Alibi Reader

- readout of data saved to Alibi memory
- export of data saved to Alibi memory
- data filtering and reports generating
- saving ALIBI database to CSV file

### R-LAB

- collecting measurements
- carrying out statistical analysis of measurements
- customized graphs and reports